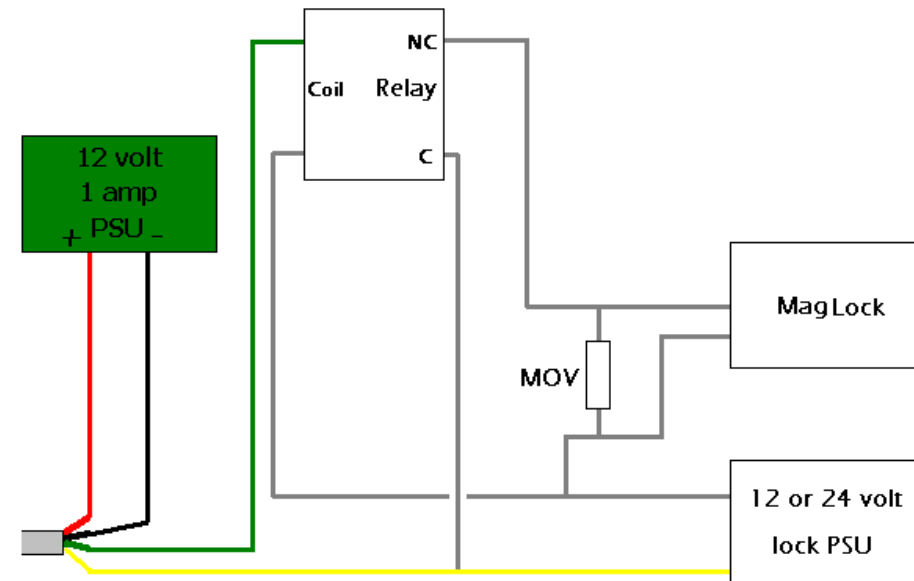
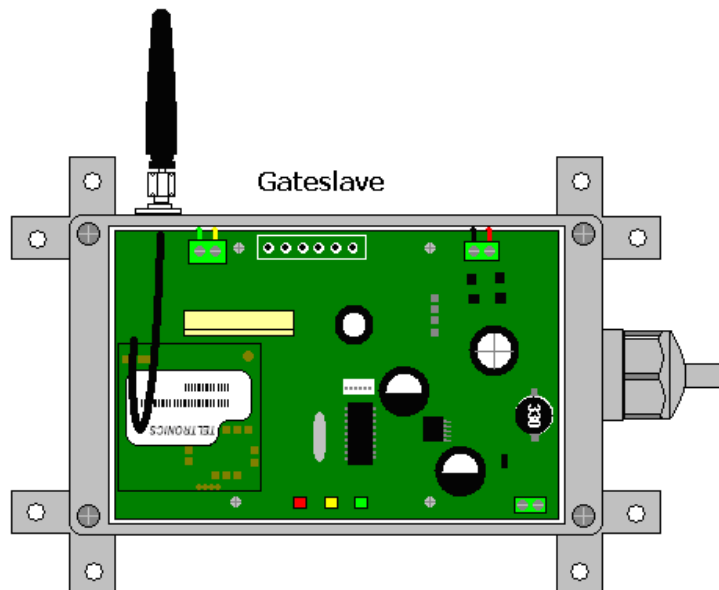


Connecting Gateslave to a Mag lock



N.B. Select a relay with the coil voltage equal to the Mag lock supply voltage. If the Mag lock does not have any surge suppression built in, then an MOV must be connected as close to the Mag lock terminals as possible. Suggested part numbers for 12 volt systems would be MOV/P7286-ND (digi-key), ERZ-V05D390 (panasonic) or use a recommended MOV from the mag lock manufacturer or your supplier.